

PRO PLUG SYSTEM®

Deck

Hidden Fastener For PVC/ Composite Decking and Cladding



APPLICATION

Hidden fastening system that provides a secure face-fastened connection with precision cut plugs made from actual decking and cladding materials. Installation is a two-step process utilizing a setting tool, screws and plugs. All components must be used together as instructed to ensure proper function.

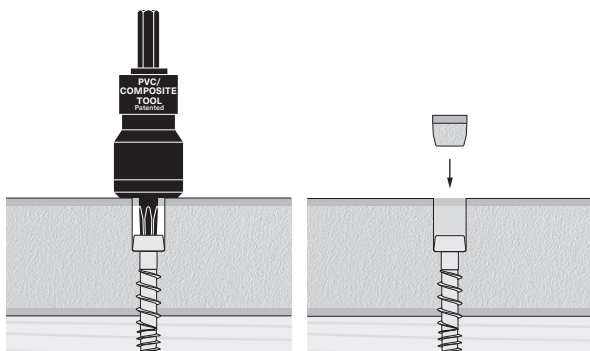
FEATURES

- Plugs are for 1" nominal (or greater) material and available in all leading deck and cladding brands
- Available in Kits (screws, plugs and tool) and Inventory Management (system components sold separately)
- Patented PVC/Composite Tool with Auto-Stop™ sets screw to the correct depth without stripping screw recess
- Free spinning stop collar on setting tool prevents damage to the board surface
- Screws feature a Type 17 auger tip for faster, easier insertion and to help prevent splitting

INSTALLATION

Follow all decking and cladding manufacturer instructions, including specifications for screw spacing, edge/end distances, and gapping. Predrilling is recommended for all composite deck boards. Predrill a 3/16" pilot hole through the decking material only; not the joist. For Armadillo®, DuraLife®, NewTechWood® and Sylvanix® decking, use a 7/32" pilot hole.

- Fit setting tool with application specific driver bit, marked "DECK".
- Drive the screw with the PVC/Composite Tool using a standard drill on high speed.
- Do not use impact driver with setting tool.
- The setting tool's Auto-Stop™ mechanism will make a "pop" sound when the screw is set to the correct depth. (Do not hesitate or slow down while driving.)
- Insert plug into hole and tap with a smooth-faced hammer until the plug is flush with board.



FINISH

Epoxy coated
Grade 305 Stainless
Grade 316 Stainless

CORROSION

Exterior use

Approved for use in ACQ and pressure treated lumber.

For salt water or other areas where corrosion is a concern, use Grade 316 Stainless.

DRIVE SYSTEM

Star drive

TOOL COMPATIBILITY

PVC/Composite Tool
PVC/Composite DECK Bits

PLUGS AVAILABLE IN THE FOLLOWING BRANDS

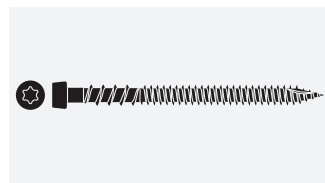
AERATIS®	AMERICAN PRO	ARMADILLO®	CLUBHOUSE®	DEKORATORS®
DURALIFE®	ENDECK®	ENVISION®	EVA-LAST®	FIBERON®
MOISTURESHIELD®	NEWTECHWOOD®	SYLVANIX®	TIMBERTECH®	TIVA®
TREX®	TRUNORTH DECK®	VEKADECK®	WEARDECK®	WOLF

New board brands are always being added to our product offering. Please refer to our website or contact Starborn® customer service if you do not see the board brand you are looking to use on your project.

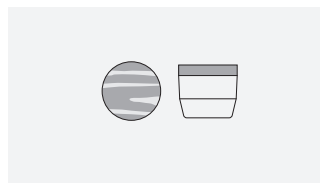
SYSTEM COMPONENTS



PVC/Composite Tool
For setting screws to the correct depth



Screws
Epoxy coated, grade 305 or grade 316 stainless, or epoxy coated grade 410 stainless for metal framing



Plugs
Made from actual PVC/Composite decking and trim material



Deck Bits

PRO PLUG® SYSTEM DECK PACKAGING

KIT PACKAGING					
LENGTH	FINISH	COVERAGE	SCREWS	PLUGS	TOOL
2-3/4"	Epoxy	100 lf	150	165	1
		100 sq ft	350	375	1
		300 sq ft	1050	1125	1
2-1/2"	305 Stainless	100 lf	150	165	1
		100 sq ft	350	375	1
		300 sq ft	1050	1125	1

INVENTORY MANAGEMENT—PLUGS ONLY	
PLUGS	COVERAGE
100	—
375	100 sq ft
1125	300 sq ft

FOR METAL FRAMING—CAP-TOR XD METAL			
LENGTH	FINISH	SCREWS	COVERAGE
1-1/2"	Epoxy Coated 410 Stainless (Metal Framing)	375	100 sq ft
1-5/8"			

For Metal Framing
Use 1-1/2" or 1-5/8" CAP-TOR® xd Metal screw and purchase plugs and PVC/Composite Tool separately.

INVENTORY MANAGEMENT—SCREWS ONLY			
LENGTH	FINISH	SCREWS	COVERAGE
2"	Epoxy	100	—
		375	100 sq ft
		1125	300 sq ft
2-3/4"		100	—
		375	100 sq ft
		1125	300 sq ft
3"		100	—
		375	100 sq ft
		1125	300 sq ft
2"	305 Stainless	100	—
		375	100 sq ft
		1125	300 sq ft
2-1/2"		100	—
		375	100 sq ft
		1125	300 sq ft
3"		100	—
		375	100 sq ft
		1125	300 sq ft
2-1/2"	316 Stainless	100	—
		375	100 sq ft
		1125	300 sq ft
3"		100	—
		375	100 sq ft
		1125	300 sq ft

PRO PLUG SYSTEM®

Trim

Hidden Fastener for PVC Trim Board



APPLICATION

Hidden fastening system that provides a secure face-fastened connection with precision cut plugs made from actual PVC trim boards. Installation is a two-step process utilizing a setting tool, screws and plugs. All components must be used together as instructed to ensure proper function.

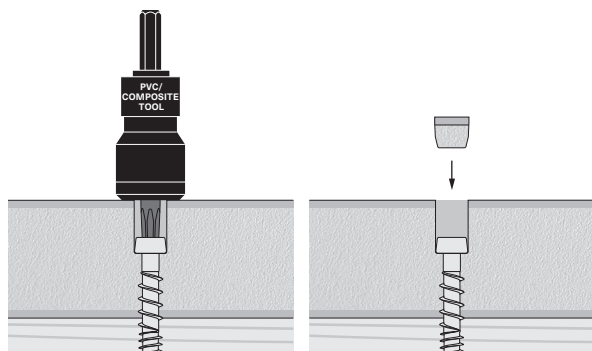
FEATURES

- Plugs are for 5/8" to 1-1/4" thick PVC trim and available in all leading brands
- Available in Kits (screws, plugs and tool) and Inventory Management (system components sold separately)
- Patented PVC/Composite Tool with Auto-Stop™ sets screw to the correct depth without stripping screw recess
- Free spinning stop collar on setting tool prevents damage to the board surface
- Screws feature a Type 17 auger tip for faster, easier insertion and to help prevent splitting

INSTALLATION

Follow all PVC trim manufacturer instructions, including specifications for screw spacing, edge/end distances, and gapping.

- Fit setting tool with application specific driver bit, marked "TRIM".
- Drive the screw with the PVC/Composite Tool using a standard drill on high speed.
- Do not use impact driver with setting tool.
- The setting tool's Auto-Stop™ mechanism will make a "pop" sound when the screw is set to the correct depth. (Do not hesitate or slow down while driving.)
- Insert plug into hole and tap with a smooth-faced hammer until the plug is flush with board.



FINISH

Epoxy coated
Grade 305 Stainless
Grade 316 Stainless

CORROSION

Exterior use

Approved for use in ACQ and pressure treated lumber.

For salt water or other areas where corrosion is a concern, use Grade 316 Stainless.

DRIVE SYSTEM

Star drive

TOOL COMPATIBILITY

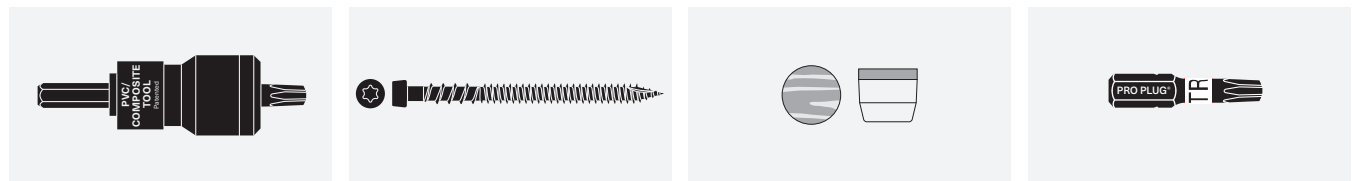
PVC/Composite Tool
PVC/Composite TRIM Bits

PLUGS AVAILABLE IN THE FOLLOWING BRANDS

AZEK®	BETTER BRAND®	BORAL®	CERTATRIM®	GREEN ATLANTIC®
INTEPLAST®	KLEER®	KOMA®	PALIGHT®	PLY GEM®
RESTORATION MILLWORK®	ROYAL®	VERSATEX®	WOLF	XO™

New board brands are always being added to our product offering. Please refer to our website or contact Starborn® customer service if you do not see the board brand you are looking to use on your project.

SYSTEM COMPONENTS



PVC/Composite Tool
For setting screws to the correct depth

Screws
Epoxy coated, grade 305 or grade 316 stainless, or epoxy coated grade 410 stainless for metal framing

Plugs
Made from actual PVC/Composite decking and trim material

Trim Bits

PRO PLUG® SYSTEM TRIM PACKAGING

KIT PACKAGING					
LENGTH	FINISH	COVERAGE	SCREWS	PLUGS	TOOL
2"	Epoxy	50 lf	75	85	—
		250 lf	375	400	1
		750 lf	1125	1200	1
2-3/4"	Epoxy	50 lf	75	85	—
		250 lf	375	400	1
		750 lf	1125	1200	1
2"	305 Stainless	50 lf	75	85	—
		250 lf	375	400	1
		750 lf	1125	1200	1
2-1/2"	305 Stainless	50 lf	75	85	—
		250 lf	375	400	1
		750 lf	1125	1200	1

INVENTORY MANAGEMENT—SCREWS ONLY			
LENGTH	FINISH	SCREWS	COVERAGE
2"	Epoxy	100	—
		375	100 sq ft
		1125	300 sq ft
2-3/4"	Epoxy	100	—
		375	100 sq ft
		1125	300 sq ft
3"	Epoxy	100	—
		375	100 sq ft
		1125	300 sq ft
2"	305 Stainless	100	—
		375	100 sq ft
		1125	300 sq ft
2-1/2"	305 Stainless	100	—
		375	100 sq ft
		1125	300 sq ft
3"	305 Stainless	100	—
		375	100 sq ft
		1125	300 sq ft
2-1/2"	316 Stainless	100	—
		375	100 sq ft
		1125	300 sq ft
3"	316 Stainless	100	—
		375	100 sq ft
		1125	300 sq ft

INVENTORY MANAGEMENT—PLUGS ONLY	
PLUGS	COVERAGE
100	—
400	250 lf
1200	750 lf

PRO PLUG[®] SYSTEM

Fascia

Hidden Fastener for Composite Fascia Board and Cladding



APPLICATION

Hidden fastening system that securely fastens deck fascia and cladding while also allowing boards to expand and contract freely. Precision cut plugs are made from actual fascia material. Installation is a three-step process utilizing a predrilling tool and a setting tool (sold as a tool set) and screws and plugs. All components must be used together as instructed to ensure proper function.

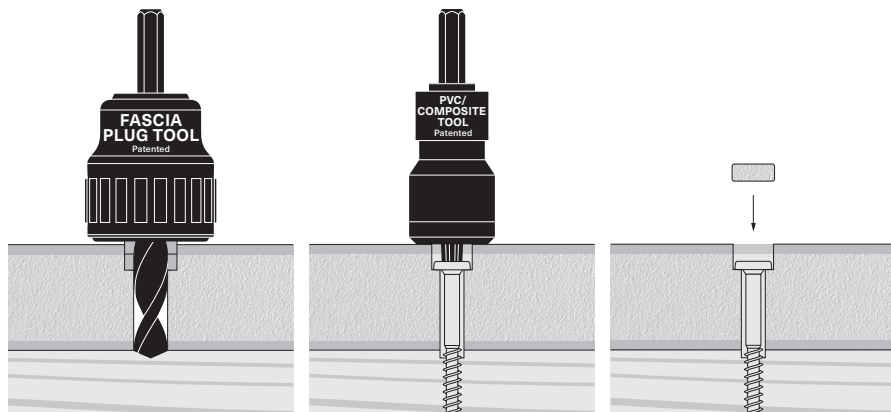
FEATURES

- Fascia Plug Tool predrills an over-sized hole so that the board can expand and contract freely and provides a pre-set countersink that matches the diameter and depth of screw and plug
- Free spinning stop collar on Fascia Plug Tool prevents damage to the board surface
- PVC/Composite Tool with Fascia Bit sets screw to proper depth and eliminates overdriving screw
- Screws feature Type 17 auger tip for faster, easier insertion and to help prevent splitting
- Kit packaging includes screws and plugs (Fascia Plug Tool Set sold separately)

INSTALLATION

Follow all fascia manufacturer instructions, including specifications for screw spacing, edge/end distances, and gapping.

- Fit setting tool with application specific driver bit, marked "FSCA".
- Predrill with the Fascia Plug Tool until the collar stops spinning.
- Drive the screw with the PVC/Composite Tool using a standard drill on high speed.
- Do not use impact driver with setting tool.
- The setting tool's Auto-Stop™ mechanism will make a "pop" sound when the screw is set to the correct depth. (Do not hesitate or slow down while driving.)
- Insert plug into hole and tap with a smooth-faced hammer until the plug is flush with board.



FINISH

Epoxy coated
Grade 305 Stainless
Grade 316 Stainless

CORROSION

Exterior use

Approved for use in ACQ and pressure treated lumber.

For salt water or other areas where corrosion is a concern, use Grade 316 Stainless.

DRIVE SYSTEM

Star drive

TOOL COMPATIBILITY

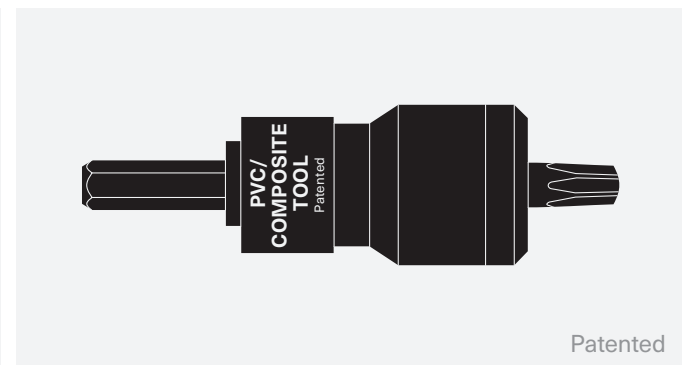
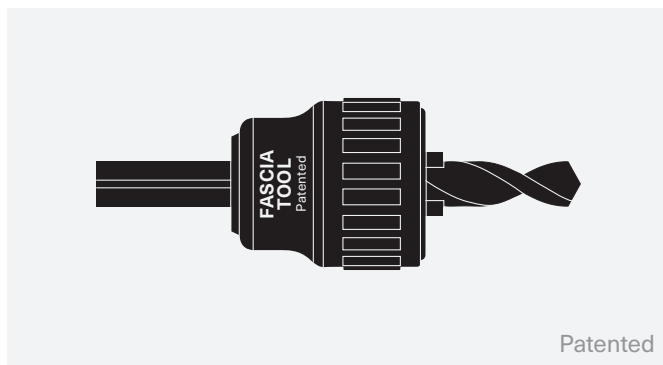
Fascia Plug Tool Set

PLUGS AVAILABLE IN THE FOLLOWING BRANDS



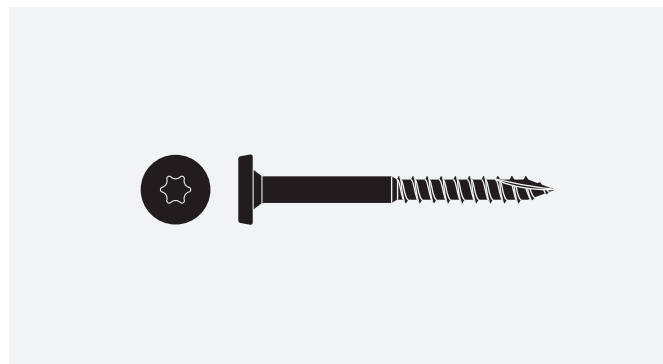
New board brands are always being added to our product offering. Please refer to our website or contact Starborn® customer service if you do not see the board brand you are looking to use on your project.

SYSTEM COMPONENTS



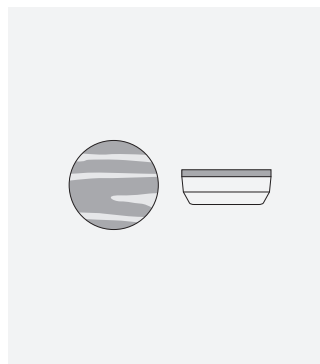
Fascia Plug Tool Set

Fascia Plug Tool for pre-drilling and PVC/Composite Tool for screw setting. (Sold Separately)



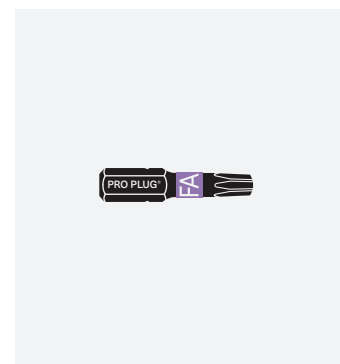
Fascia Screws

Epoxy coated, grade 305 or grade 316 stainless



Fascia Plugs

Made from actual fascia material to match perfectly



Fascia Bit

PRO PLUG® SYSTEM FASCIA PACKAGING

LENGTH	FINISH	DRIVE TYPE	KIT PACKAGING		
			SCREWS	PLUGS	TOOL
1-7/8"	Epoxy	T20	100	100	—
	305 Stainless				
	316 Stainless				

STARBORN DECKMATCHER TABLE

STARBORN COLOR	ARMADILLO	CLUBHOUSE	DECORATORS	DURALIFE	ENDECK	ENVISION	EVA-LAST	FIBERON
TAN-GRAY #31	CAMPFIRE • FIREWOOD • MESA • PAINTED DESERT	COBBLESTONE	COASTLAND • COSTA • HICKORY	MAHOGANY • TROPICAL WALNUT	CEDAR • SABLE	WEATHERED WOOD SPICED TEAK • TANTRIDGE OAK • VINTAGE OAK	ALASKAN DRIFTWOOD • CAPE TOWN GREY • CONCRETE GRAY	CABIN • IPE • JATORA • MORINGA • MUNA • TULI • TUDOR BROWN • DUNE • SUMAC • TUDOR BROWN
BROWN #34	CONVOYE	HICKORY	ASHWOOD • COMPASS GRAY • FIELDSTONE • GRAY • KETTLE • SALTWATER • SILVERWOOD • SUMMIT	IRONSTONE	SLATE	ALPINE FOG • CAPE COD GREY • NANTUCKET SHORE	CARRIBEAN CORAL • GRAY SLATE • SAPPHIRE SILVER • CARBONIZED OSAGE • CHARRED CEDAR	CASTLE GRAY • COTTAGE • MINERAL • MORA • NANTUCKET GRAY • SEASIDE MIST
GRAY #37								
BLACK #38								
WHITE #39	LINEN • WHITE SAND							
ASHWOOD #43		SANDSTONE	MACADAMIA					
IVORY #45								
KHAKI #48								
DARK GRAY #53	CANYON GRAY • SMOKE • STEEL WOOL • THUNDER	DRIFTWOOD	DUSK • LAKEVIEW • RIDGELINE • RIDGEMAN • SIERRA • SMOKEHOUSE	ARCADIA GRAY • GARAPA GREY • SLATE	DAWN	GREY WOOD • HARBOR GREY	ALASKAN DRIFTWOOD • CAPE TOWN GREY • CONCRETE GRAY	BEACH HOUSE • FLAGSTONE • GRAPHITE • MOONLIGHT COVE • PALO
WARM GRAY #54		BROOKSTONE	TUNDRA				ARCTIC BIRCH	CABANA • CHAI • SANDSTONE • SHADED CAY
DARK SLATE #55	CHARCOAL	IRONWOOD	DRIFTWOOD • SLATE (PICTURE FRAME)	COASTAL GREY	DAWN	BARNWOOD PLANK • GUNSTOCK	SIBERIAN BARK	EARL GREY • GRAY BIRCH • WEATHERED CLIFF • WENGE
COOL GRAY #56	DOVE TAIL							BAMBOO • PRAIRIE WHEAT CLAY • TUSCAN VILLA • WARM SIENNA
SAHARA #62							SWEDISH OAK	
BUCKSKIN #63							HIMALAYAN CEDAR	
SAND #64	SAW GRASS	CLAY	CEDAR • DUNEWOOD • SANDALWOOD • TIMBERLINE	ASPEN TEAK • PEBBLE	DUSK • OLIVEWOOD	HAMPTON DUNE • SANDSTONE • SEASIDE PIER	SAHARA SAND • WEATHERED ASH	
ROSY BROWN #66							OASIS PALM	BROWNSTONE
CHOCOLATE #71	BOURBON • FOOTHILLS • SALCOON • TWILIGHT • WALNUT	WALNUT	BARREL-AGED OAK • KHAYA • IRONWOOD • PATHWAY • RIVERHOUSE • SHIPYARD BROWN	CABO BROWN • MOCHA	CHESTNUT	BLACK WALNUT • RUSTIC WALNUT • WEATHERED WICKER • WOODLAND BARK	BRAZILIAN TEAK • ESPRESSO ROAST • HAWAIIAN WALNUT • HAWAIIAN WALNUT	BURNT UMBER • ESPRESSO • KOA • LATTE
JAVA #73	BRONCO • TORTOISE • TUMBLEWEED • VINTAGE SLATE	MAHOGANY	CANYON • CHICORY • KINGWOOD • RIVERSIDE • ROSEWOOD • WALNUT • WOODLAND	SEQUOIA	CANYON RIDGE • CARRIBO U BROWN • SHADED AUBURN	SPANISH SAFFRON • TIGER COVE		BUNGALOW • CHESTNUT • MOUNTAIN ASH • ROSEWOOD • SANDY PIER
CEDAR #81			SEDONA	BRAZILIAN CHERRY • GOLDEN TEAK		CEDAR	BARREL OAK • CHESTNUT CEDAR • NATURAL CEDAR • WESTERN RED CEDAR • ISLAND MAHOGANY • NATURAL IPE	TUPELO
MAHOGANY #82	RUSTIC RED • SUNSET					REDWOOD		
BURGUNDY #87								
STARBORN COLOR	MOISTURESHIELD	SYLVANIX	TIMBERTECH	TEX	TRUNORTH	VEKADECK	WEARBECK™	WOLF
TAN-GRAY #31	EARTH TONE	MESA BROWN • SANDPOINT • SPANISH CEDAR • TEAK	AUTUMN CHESTNUT • WEATHERED TEAK ANTIGUA GOLD • BROWN OAK • DARK ROAST • DARK TEAK • ENGLISH WALNUT • MAHOGANY • MORADO	HAWAIIA GOLD • JASPER • CORACOKE • SADDLE • TREE HOUSE	SAND	CAVENNE	WEATHERWOOD	WEATHERED IPE AMBERWOOD • CEDAR RIDGE • ROSEWOOD
BROWN #34	BRIDE • CAJONE • TIGERWOOD • WALNUT		ISLAND OAK • SANDSTORM GRAY • WEATHERED OAK	PEBBLE GREY • ROCKY HARBOR • WHIBBEY	HAZELWOOD • STONE GREY	STORM	SADDLE	
GRAY #37	ALPINE GRAY • AURORA MIST • CAPE COD GRAY • CATHEDRAL STONE • CYADEL • LAKE FOG	SUMMIT GREY	ASHWOOD • CASTLE GATE • COASTLINE • DRIFTWOOD • MARITIME GRAY • SEASALT GRAY • SILVER MAPLE • STONE FISH • STORM GRAY	WOOD GRAIN WHITE		WHITE	GRAY	DRIFTWOOD GREY • POTOMAC GREY
WHITE #39			BEACHWOOD GRAY • RECLAIMED CHESTNUT • WHITE HAZELWOOD			WHITE	WHITE	
ASHWOOD #43								
IVORY #45								
OLIVE GRAY #51								
DARK GRAY #53	GRAYSTONE • HARBOR GRAY • SMOKEY GRAY • SOUTHERN BARNWOOD	ASPEN GRAY • GRAPHITE • LAKE GREY • PONDERAY	ISLAND OAK • SANDSTORM GRAY • WEATHERED OAK	CLAM SHELL • ISLAND MIST	AMAZON GREY • ASH GREY	KHAKI	BARREFOOT GRAY	PUMICE
WARM GRAY #54	CATALINE • SANDSTONE		BOARDWALK • GREY • SLATE GRAY AMAZON MIST	BISCAYNE • GRAVEL PATH WINCHESTER GREY FOGGY WHARF • RAINIER				HARBOR GREY ONYX
DARK SLATE #55								
COOL SLATE #56								
SAHARA #62								
BUCKSKIN #63	SHORESIDE	SAND DUNE HARVEST BROWN • TROPICAL GOLD	NATURAL WHITE OAK ANTIQUE LEATHER • COCONUT HUSK • TIGERWOOD	CARMEL • ROPE SWING	TIGERWOOD		BARREFOOT SAND	ALMOND • GOLDEN CYPRESS
SAND #64	DESERT SAND • MOCHACCINO		BROWNSTONE • FRENCH WHITE OAK • SANDY BIRCH • TIDAL SAND				SAND	SAND CASTLE • SILVER TEAK • WILLOW
ROSY BROWN #66								
CHOCOLATE #71	RIVERBANK • SPANISH LEATHER	MERLOT • VANTAGE	CEDAR • PECAN • SILVER OAK ACACIA • AMERICAN WALNUT • BRAZILIAN WALNUT • DARK COCOA • DARK HICKORY • ESPRESSO • KONA	BEACH DUNE • TOASTED SAND COASTAL BLUFF • VINTAGE LANTERN • WOODLAND BROWN	BRULE	HAZELNUT • WALNUT		BLACK WALNUT • MOCHA
JAVA #73	BRAZILIAN CHESTNUT • COL D'OREN • GRAPHITE • KAYAK • IPE • LANTERN • NORTHERN ROSEWOOD • RUSTIC TIMBER	CHERRYWOOD	ANTIQUE PALM • CARIBBEAN REDWOOD • DARK OAK • RUSTIC ELM • SABLE CYPRESS	FIRE PIT • LAVA ROCK • SPICED RUM • SUNSET COVE	BRAZILIAN CHERRYWOOD • TROPICAL WALNUT CARAMEL	ESPRESSO	CEDAR	BLACK WALNUT • MOCHA
CEDAR #81								
MAHOGANY #82								
BURGUNDY #87	SEASONED MAHOGANY							

Visit starbornindustries.com/deck-matcher for an interactive version of this chart, which also includes wood decking. The online version is updated frequently with new boards and colors.

Starborn Industries, Inc. Edison, NJ 08837 USA
Rev. Date: 2025-03